

SGK-1-5

Standard series

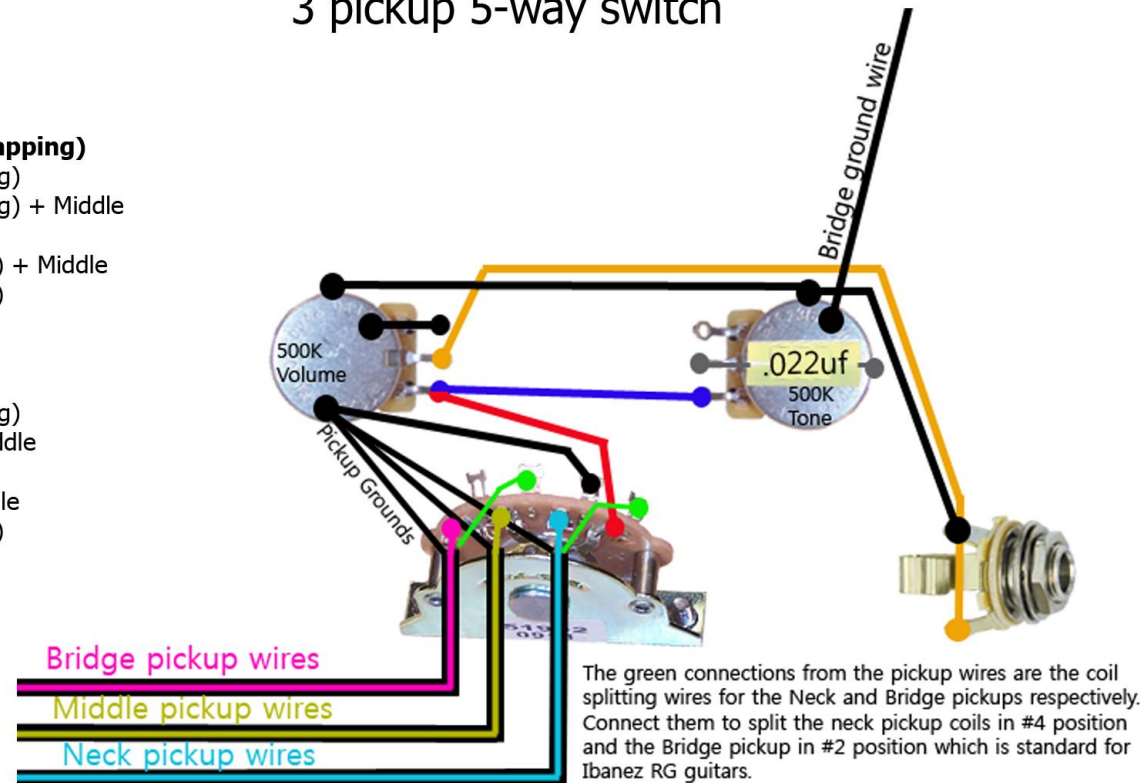
3 pickup 5-way switch

Standard (no coil tapping)

1. Bridge (Humbucking)
2. Bridge (Humbucking) + Middle
3. Middle
4. Neck (Humbucking) + Middle
5. Neck (Humbucking)

Coil Tapping

1. Bridge (Humbucking)
2. Bridge (Split) + Middle
3. Middle
4. Neck (Split) + Middle
5. Neck (Humbucking)



This is a pretty generic modern configuration. This diagram is using one .022uf high quality metal film capacitors for a brighter, more modern tone. The coil splitting option gives this the same functionality as the Ibanez RG Series with a S/H/S Configuration.