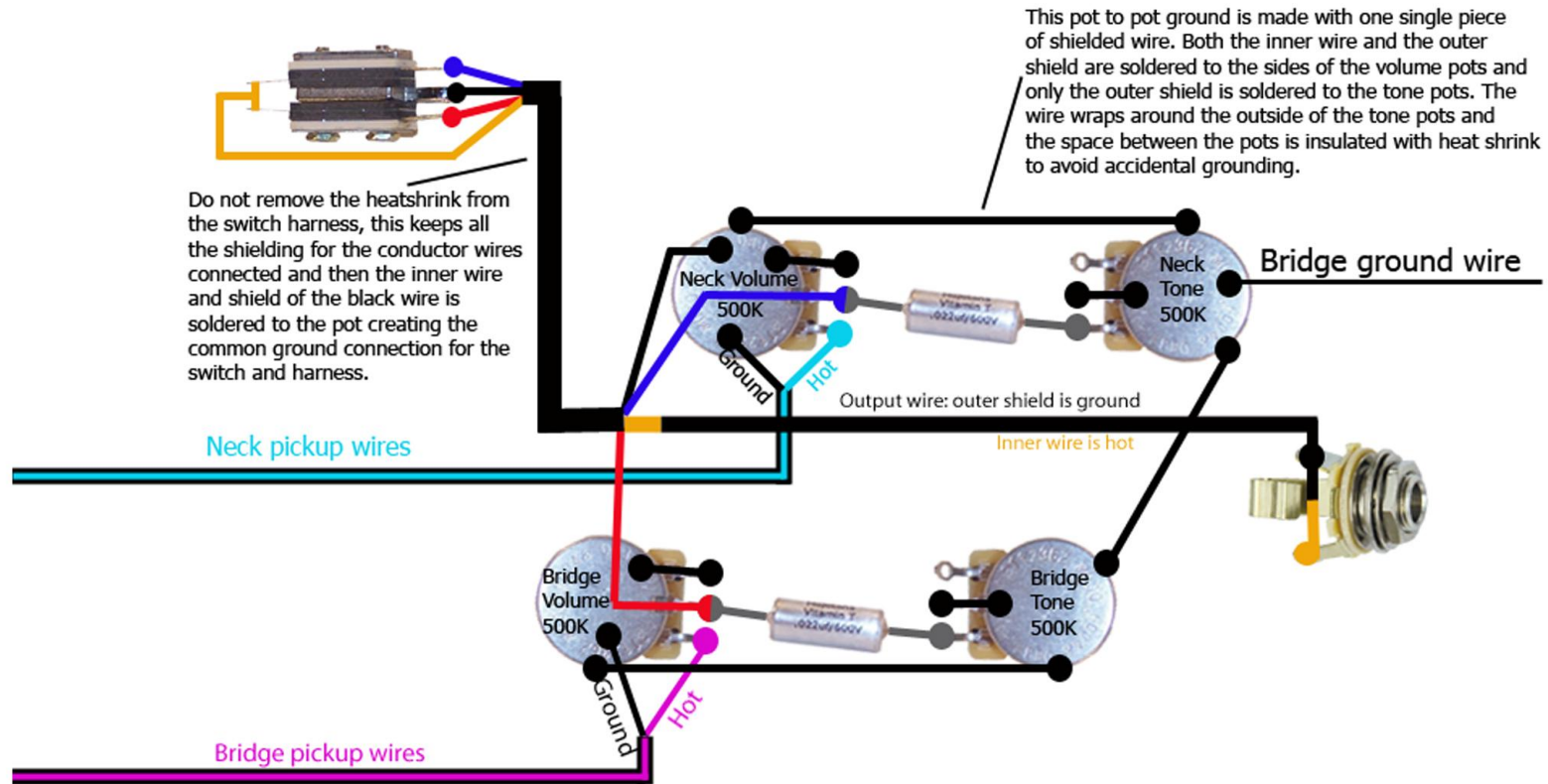


Les Paul Vintage series



This is a 1950's Gibson Les Paul wiring configuration. This diagram is using two .022uf/600v oil filled capacitors for a warmer vintage tone.

www.bcsguitars.com Copyright 2011 Brown's Marketing