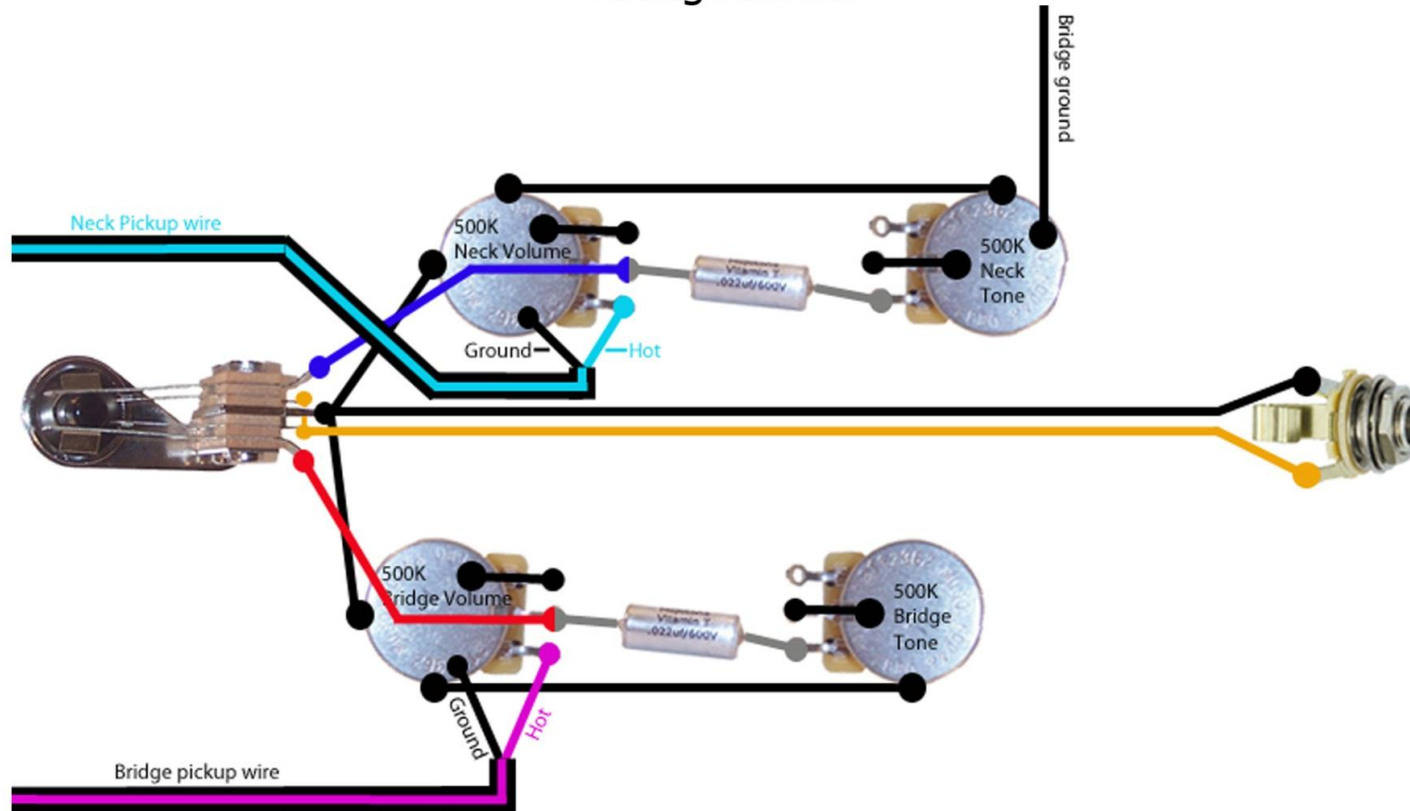


SG Vintage series



This is a standard 1950's Gibson LP and SG wiring diagram. This diagram is using .022uf/600v oil filled capacitors for a warmer vintage tone.

www.bcsguitars.com Copyright 2011 Brown's Marketing