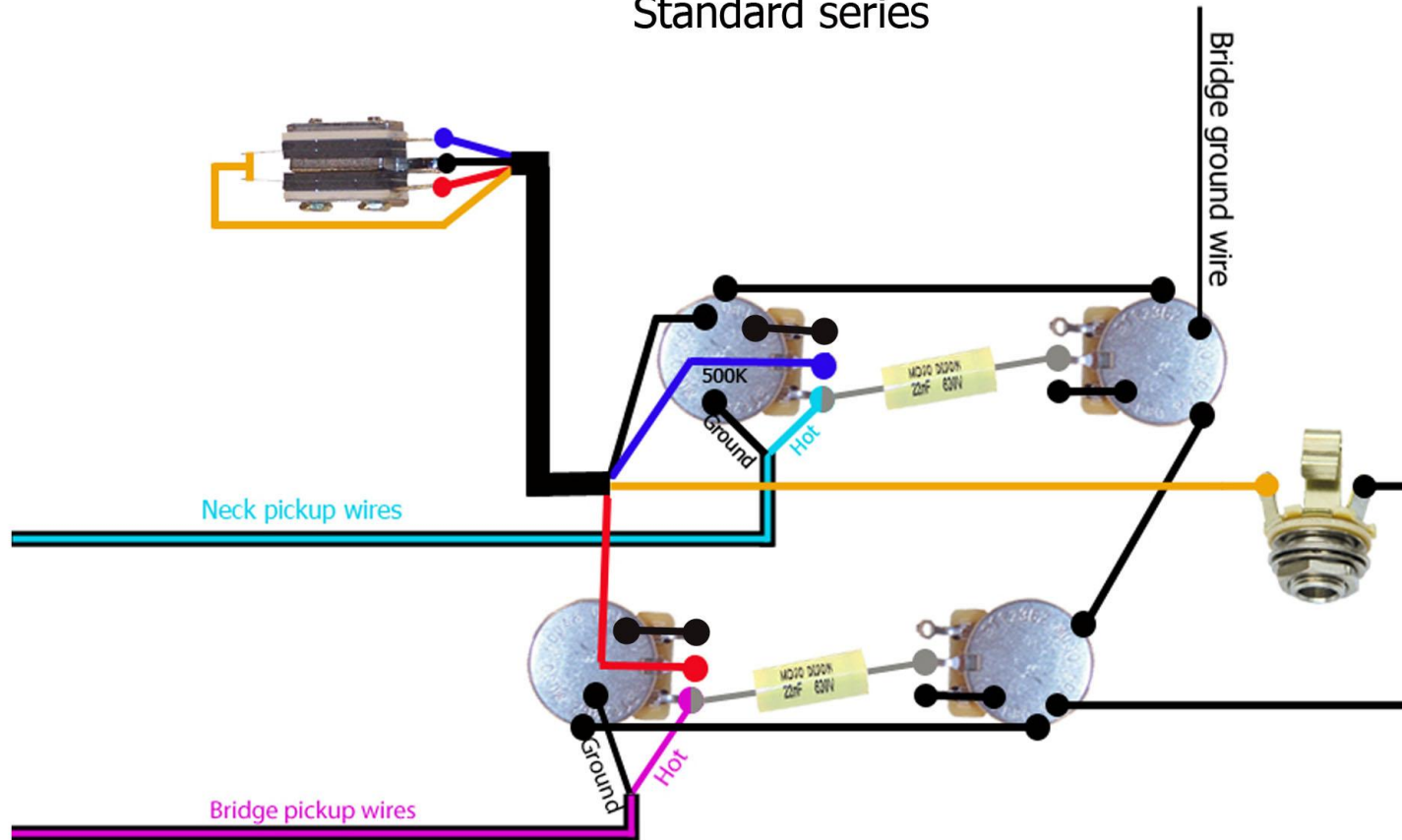


# Les Paul Standard series



This is a modern Gibson Les Paul wiring configuration. This diagram is using two .022uf/600v high quality metal film capacitors for a brighter, more modern tone.

[www.bcsguitars.com](http://www.bcsguitars.com) Copyright 2011 Brown's Marketing